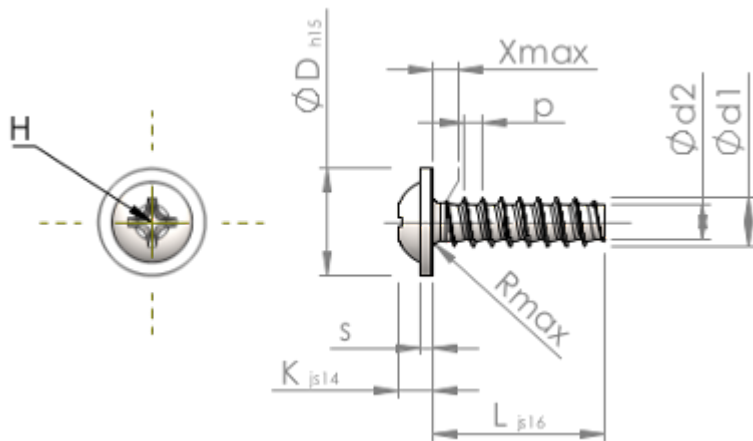


Spec sheet for STP310400150S



Item Number		STP310400150S
Head		KN6031
Material		steel, hardened 10.9
Surface		zinc-plated 5-7 μ m, baked, blue / transparent passivated
Thread outside- ϕ	d1	4,00 $^{+0,10}$ mm
Thread core- ϕ	d2	2,81 mm
Thread-pitch	p	1,46 mm
Length	L	15,00 mm
Head- ϕ	D	9,00 $_{-0,58}$ mm
Head height	K	2,500 $\pm 0,125$ mm
Flange Thickness	S	1,0 mm
Thread run-out	X max.	2,00 mm
Radius	R max.	0,60 mm
H-cross recess		H2
Penetration Depth	t min.	1,33 mm
Penetration Depth	t max.	1,96 mm
Thread		STS-plus
Weight		1,528 kg/1000 pcs.
Customs tariff no		73 181 499