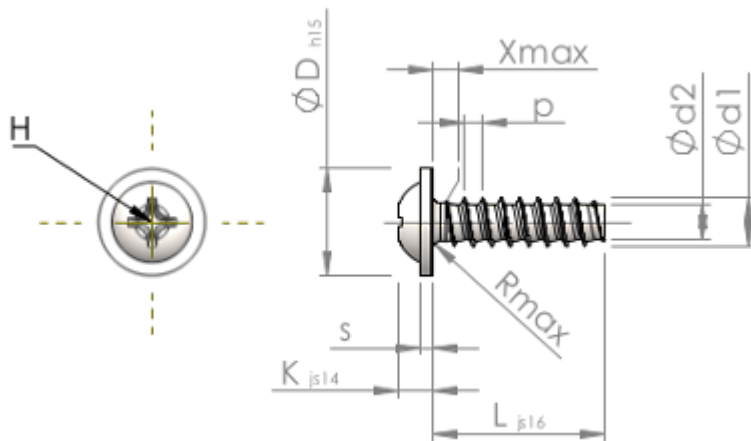


Spec sheet for STP310200150B



Item Number		STP310200150B
Head		KN6031
Material		steel, hardened 10.9
Surface		Zinc-Nickel-plated, baked, passivated black/ Cr-VI-free, sealed
Thread outside-Ø	d1	2,00 ^{+0,08} mm
Thread core-Ø	d2	1,36 mm
Thread-pitch	p	0,78 mm
Length	L	15,00 mm
Head-Ø	D	4,50 _{-0,48} mm
Head height	K	1,400 ±0,125 mm
Flange Thickness	S	0,6 mm
Thread run-out	X max.	1,00 mm
Radius	R max.	0,35 mm
H-cross recess		H1
Penetration Depth	t min.	0,51 mm
Penetration Depth	t max.	0,97 mm
Thread		STS-plus
Weight		0,317 kg/1000 pcs.
Customs tariff no		73 181 499